

# KOBAN



## FEATURES

- ✓ Simple and integrative structure design, easy in installation.
- ✓ Housing with high heating conductive plastic and aluminum material, excellent heating radiation performance.
- ✓ High luminous efficacy, small lumen depreciation, long lifespan



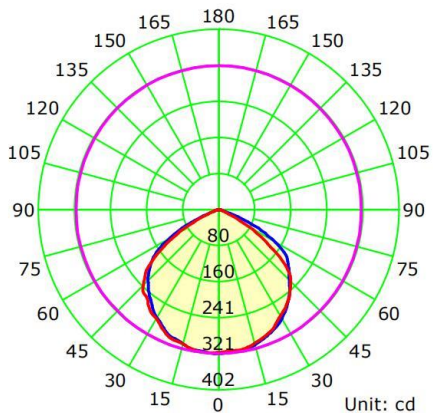
## TECHNICAL SPECIFICATIONS

Item No	LED-FL-10W (8767943)	LED-FL-20W (8767944)	LED-FL-30W (8767945)	LED-FL-50W (8767946)	LED-FL-100W (8767947)	LED-FL-150W (8767948)	KLED-FLS-200W (8767949)
LED light source	SMD2835						
Input voltage	AC220-240V						
Working temp.	-20°C a 50°C						
Lm/W	>80						
Lumen	800lm ±10%	1600lm±10%	2400lm±10%	4000lm±10 %	8000lm±10 %	12000lm±1 0%	16000±10%
Beam angle	120°						
CRI	Ra>80						
Color temp.	6500K						
Lifetime	50000hr						
Total harmonic distortion	<10%						
Working humidity	20-80%RH						
IP Rating	IP65						
Size(LxWxH)	110x2 5x90 mm	140x25x120 mm	170x28x150 mm	210x30x180 mm	280 x35x250 mm	350x43.5x3 10 mm	380*340*4 3.5mm

## GAMME ANGLE

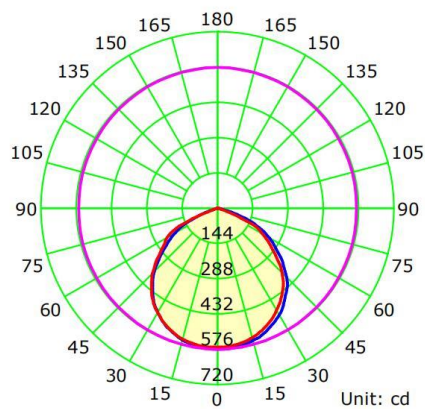
**P=10W**

Luminous Intensity Distribution Curve



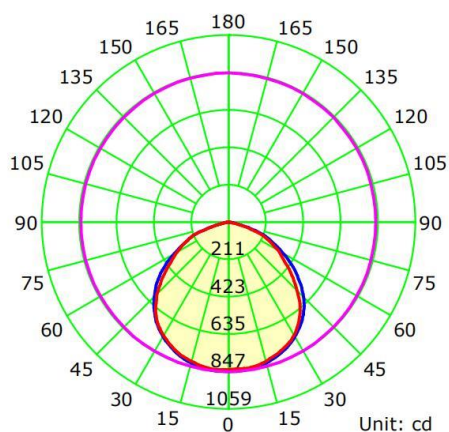
**P=20W**

Luminous Intensity Distribution Curve



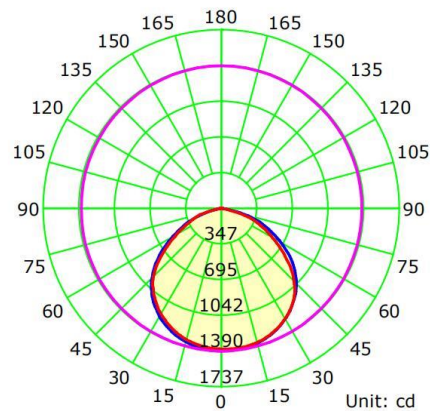
**P=30W**

Luminous Intensity Distribution Curve



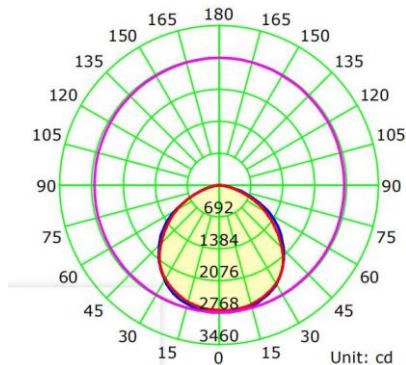
**P=50W**

Luminous Intensity Distribution Curve

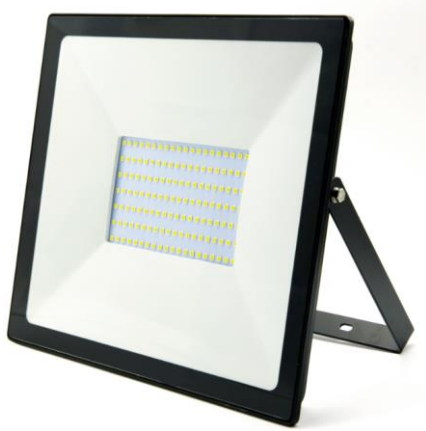


**P=100W**

Luminous Intensity Distribution Curve



# KOBAN



## FEATURES

- ✓ Simple and integrative structure design, easy in installation.
- ✓ Housing with high heating conductive aluminum material, excellent heating radiation performance.
- ✓ High luminous efficacy, small lumen depreciation, long lifespan



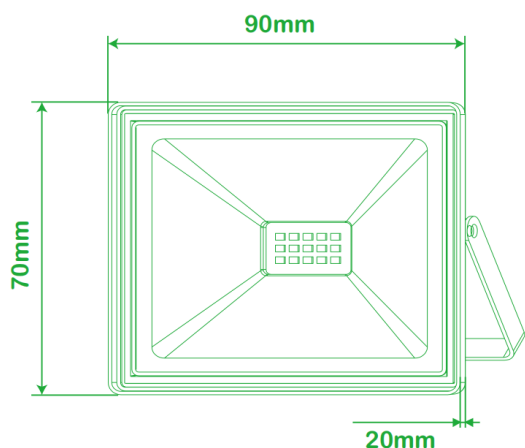
## TECHNICAL SPECIFICATIONS

	KLED-FLS-10W-S Codes 8768003	KLED-FLS-20W-S Codes 8768004	KLED-FLS-30W-S Codes 8768005	KLED-FLS-50W-S Codes 8768006	KLED-FLS-100W-S Codes 8768007
LED light source	SMD2835	SMD2835	SMD2835	SMD2835	SMD2835
Input voltage	220-240 V AC	220-240 V AC	220-240 V AC	220-240 V AC	220-240 V AC
Lm/W	>80	>80	>80	>80	>80
Lumen	800±10%	1600±10%	2400±10%	4000±10%	8000±10%
Power	10W	20W	30W	50W	100W
CRI	Ra>70	Ra>70	Ra>70	Ra>70	Ra>70
Color temp.	6500K	6500K	6500K	6500K	6500K
Lifetime	50000hr	50000hr	50000hr	50000hr	50000hr
Total harmonic distortion	<10%	<10%	<10%	<10%	<10%
Work humidity	20-80%RH	20-80%RH	20-80%RH	20-80%RH	20-80%RH
IP Rating	IP65	IP65	IP65	IP65	IP65

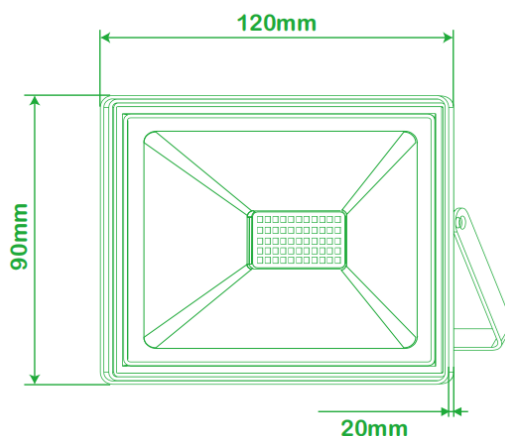
	KLED-FLS-10W-S	KLED-FLS-20W-S	KLED-FLS-30W-S	KLED-FLS-50W-S	KLED-FLS-100W-S
Power factor	>0.9	>0.9	>0.9	>0.9	>0.9
Beam angle	120°	120°	120°	120°	120°
Material	aluminum	aluminum	aluminum	aluminum	aluminum
Size(mm)	90*70*20mm	120*90*20mm	150*130*21.9mm	190*170*21.3mm	260*240*21.7mm

### DIMENSIONS

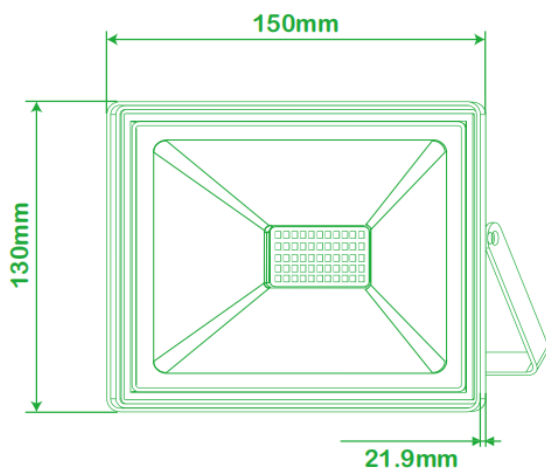
KLED-FLS-10W-S



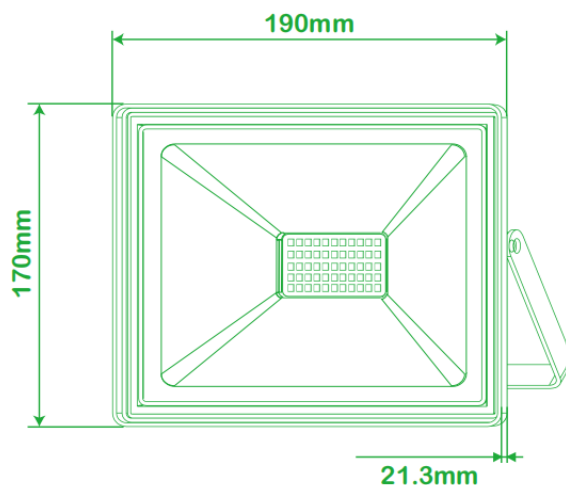
KLED-FLS-20W-S



KLED-FLS-30W-S

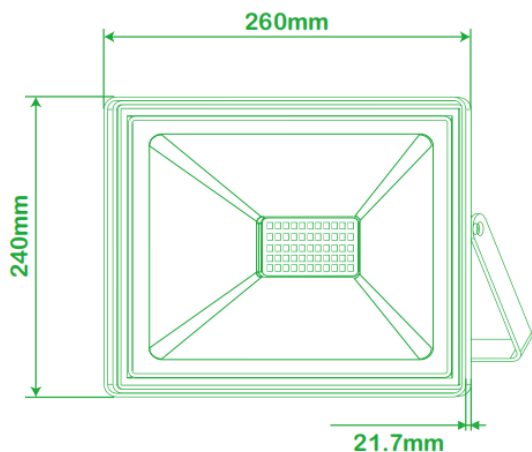


KLED-FLS-50W-S

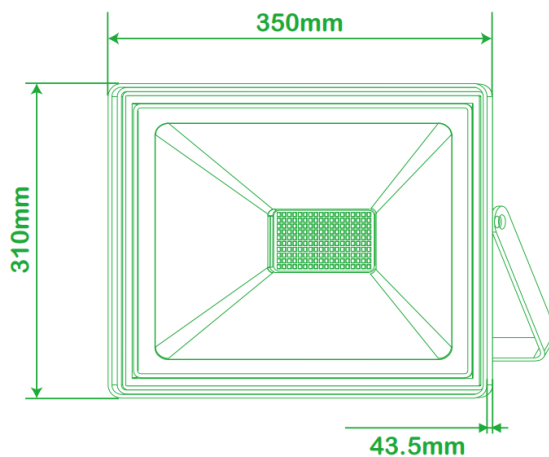


## DIMENSIONS

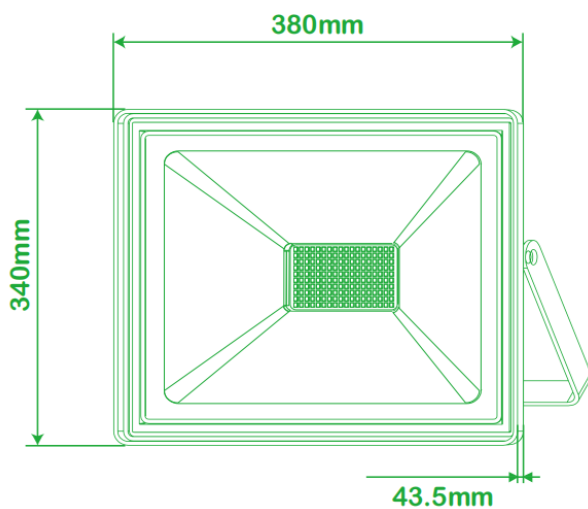
KLED-FLS-100W-S



KLED-FLS-150W-S



KLED-FLS-200W-S



## GAMMA ANGLE

# KOBAN



## FEATURES

- ✓ Simple and integrative structure design, easy in installation.
- ✓ Housing with high heating conductive aluminum material, excellent heating radiation performance.
- ✓ High luminous efficacy, small lumen depreciation, long lifespan



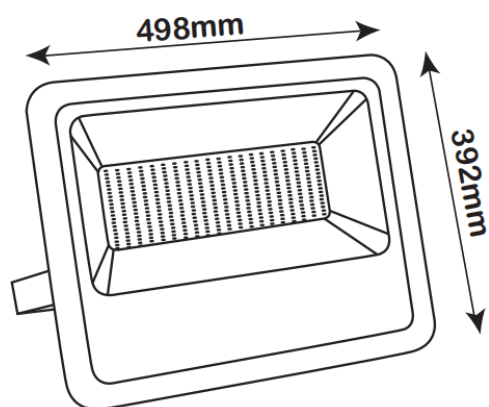
## TECHNICAL SPECIFICATIONS

	KLED-FLZ-300W Codes 8768008	KLED-FLZ-400W Codes 8768009	KLED-FLW-500W Codes 8768010	KLED-FLW-600W Codes 8768011
<b>LED light source</b>	SMD2835	SMD2835	SMD2835	SMD2835
<b>Input voltage</b>	100-265 V AC	100-265 V AC	100-265 V AC	100-265 V AC
<b>Lm/W</b>	>80	>80	>80	>80
<b>Lumen</b>	24000±10%	32000±10%	40000±10%	64000±10%
<b>Power</b>	300W	400W	500W	600W
<b>CRI</b>	Ra>70	Ra>70	Ra>70	Ra>70
<b>Color temp.</b>	6500K	6500K	6500K	6500K
<b>Lifetime</b>	50000hr	50000hr	50000hr	50000hr
<b>Total harmonic distortion</b>	<10%	<10%	<10%	<10%
<b>Work humidity</b>	20-80%RH	20-80%RH	20-80%RH	20-80%RH
<b>IP Rating</b>	IP66	IP66	IP66	IP66

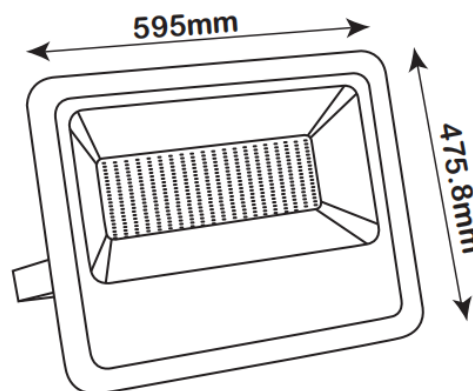
	KLED-FLZ-300W	KLED-FLZ-400W	KLED-FLW-500W	KLED-FLW-600W
Power factor	>0.9	>0.9	>0.9	>0.9
Beam angle	120°	120°	120°	120°
Material	aluminum	aluminum	aluminum	aluminum
Size(mm)	498*392*95mm	595*475.8*95mm	620*350*90mm	830*360*100mm

### DIMENSIONS

KLED-FLZ-300W



KLED-FLZ-400W



### GAMMA ANGLE